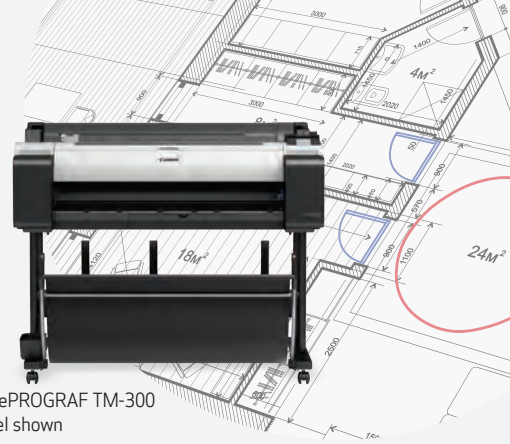




The imagePROGRAF TM-300

Competitive Advantage



imagePROGRAF TM-300 model shown

Competitively priced and fully equipped, Canon's TM-300 large-format printer includes features and functions that neither HP nor Epson can currently match or offer at an additional cost.

Top Reasons the TM-300 Large-Format Printer is the Best Choice for Your Customer.

A Fast CAD and Poster Printer

Productivity is one of the most important features your customers look for in a large-format printing solution. The more prints your customer needs, the more productivity matters. Busy work environments that must output long plots, produce multiple sets, and meet tight deadlines will get more done in less time with Canon.

- Produce high-quality line drawings in just 24 seconds!
- Canon's high-speed image processing helps reduce the time from "click" to first print.
- Sharp reproduction of text and lines, even on uncoated paper, thanks to the fully pigmented ink set.

Quiet Operation

With the TM-300, you'll notice a significant decrease in operation noise to accompany the demand for quieter offices. The operational noise has been reduced to provide for a quieter and more comfortable work environment.

Easy Roll Loading by Slide-in Style

Easily load the roll with a natural posture. Simply slide the roll along the guide rails and let the printer automatically determine whether a roll or sheet is loaded. The preloading position is 2.75 inches closer to the front on the TM-300 than previous models for easier loading.

Compact Design

Now with the TM-300's compact, sleek design it's easier to find a place to put your large-format printer, even in smaller offices with limited space. Since you can load paper, replace ink, and clear jams without needing to access the back of the printer, it can be installed flush against walls or even next to a desk where regular work can be done.

MAXIMUM PRINT RATE FOR A1/D-SIZED LINE DRAWINGS*	
HP DesignJet T520	35 Seconds
HP DesignJet T730	25 Seconds
Epson SureColor T3270	28 Seconds
Canon TM-300	21 Seconds

imagePROGRAF
TM-300

* Canon U.S.A., Inc. has determined which HP and EPSON devices compete directly with Canon imagePROGRAF devices based on the selling price as well as printing width. Canon highlights Canon's advantages based on the comparison in this competitive brief, and the statements presented in this document are an opinion of Canon. The facts, product statistics, and specifications about HP and EPSON contained in this document were obtained from the following, publicly available sources: HP marketing collateral; the HP company website (www.hp.com); EPSON marketing collateral; EPSON company website (www.epson.com); and Canon U.S.A., Inc. observations, as of August 2021.

TOP THREE COMPETITIVE ADVANTAGES

Speed

Fast CAD and Poster Printer

Office-Friendly

60% quieter from previous models; small footprint

Weather Resistant Ink

LUCIA TD Pigment Ink optimizes print quality on plain paper; allows for outdoor viewing

Top Reasons Why the TM-300 Printer is the Best Choice for Your Customer

- Speed
- Size
- Quiet operation
- TD high-yield pigment ink
- Creative and workflow solutions in the box
- Simple media roll loading
- Outdoor media compatibility
- Large color gamut on uncoated paper
- Security features built in

Canon's Ultra-High-Density Print Head

The core technology in any inkjet printing system is the print head. Its capacity helps to determine both the quality and throughput speed of the printer. With two to three times more nozzles to eject ink than current Epson and HP models, only Canon offers your customers the reliability, precision, and high-speed throughput of an ultra-high-density print head.

TOTAL INKJET NOZZLES*	
HP DesignJet T520	5,504
HP DesignJet T730	1,376
Epson SureColor T3270	3,600
Canon TM-300	15,360

Canon's LUCIA TD Pigment Ink and Water Resistant Media

Unlike Epson and HP, Canon has engineered a unique ink formulation specifically designed to meet the needs of CAD, AEC, and general-purpose printing. Canon's 5-Color LUCIA TD Pigment Ink optimizes print quality on uncoated paper, producing clear and sharp lines. The fully pigmented ink also provides vivid color expression on plain paper due to its increased amount of surface pigments allowing the color to stand out. This ink provides a balance among bleed resistance, black density, and water resistance not found in dye ink.

Hot-Swap Ink Tank System

As always, the Sub-Ink Tank System is standard with all imagePROGRAF printers for uninterrupted printing. This feature allows for the use of virtually all the tank's available ink before having to replace it, helping to eliminate any waste. Not only does this help prevent downtime in continuous printing, but it also helps make it easy to use all ink in the tanks, which can help cut costs.

 LUCIA
TD ink



imagePROGRAF
TM-300

* Canon U.S.A., Inc. has determined which HP and EPSON devices compete directly with Canon imagePROGRAF devices based on the selling price as well as printing width. Canon highlights Canon's advantages based on the comparison in this competitive brief, and the statements presented in this document are an opinion of Canon. The facts, product statistics, and specifications about HP and EPSON contained in this document were obtained from the following, publicly available sources: HP marketing collateral; the HP company website (www.hp.com); EPSON marketing collateral; EPSON company website (www.epson.com); and Canon U.S.A., Inc. observations, as of August 2021.

imagePROGRAF TM-300 Competitive Comparison

	Canon	HP*		Epson*
Model	imagePROGRAF TM-300	DesignJet T520	DesignJet T730	SureColor T3270
Accounting Manager	YES	YES	NO	YES
Noise Suppression for Quieter Operation	YES	NO	NO	NO
Cut-Sheet Paper	YES	N/A	YES	N/A
Layout Plug-In for Microsoft® Office	YES	N/A	NO	YES
Media Configuration Tool	YES	N/A	NO	N/A
Printer Driver Extra Kit - Layout Software - imageRUNNER Enlargement Copy	YES	NO	NO	NO
Sub-Ink Tank System	YES	NO	NO	NO

Compact design easily fits in an office environment.



**imagePROGRAF
TM-300**

* Canon U.S.A., Inc. has determined which HP and EPSON devices compete directly with Canon imagePROGRAF devices based on the selling price as well as printing width. Canon highlights Canon's advantages based on the comparison in this competitive brief, and the statements presented in this document are an opinion of Canon. The facts, product statistics, and specifications about HP and EPSON contained in this document were obtained from the following, publicly available sources: HP marketing collateral; the HP company website (www.hp.com); EPSON marketing collateral; EPSON company website (www.epson.com); and Canon U.S.A., Inc. observations, as of August 2021.

imagePROGRAF TM-300 Competitive Comparison

	Canon	HP**		Epson**
Model	imagePROGRAF TM-300	DesignJet T520	DesignJet T730	SureColor T3270
MSRP	\$4,735	\$2,995	\$3,595	\$3,995
Width	36"	36"	36"	36"
Max. Print Speed A1/D-Sized Line Drawing†	21 Seconds	35 Seconds	25 Seconds	29 Seconds
Media Rolls	One	One	One	One (Option for Two)
Media Output	Basket (Standard)	Media Bin	Media Bin	Catch Basket
Roll Diameter	5.9"	3.9"	3.9"	5.9"
Mobile Printer App	YES	YES	YES	NO
Wi-Fi* Enabled	YES	YES	YES	NO
Direct Print From USB	NO	NO	NO	NO
Hot-Swap Ink Tanks	YES	NO	NO	NO
Max. Resolution (dpi)	2400 x 1200	2400 x 1200	2400 x 1200	2880 x 1440
Memory (GB)	2 (Physical)	1	1	1
Hard Drive (GB)	None	None	None	320 (Optional)
Ink Tank Size (ml)	Starter Inks: 90 (C,M,Y,K) 130 (MBK) Replacement Inks: 130/300	29 (C, M, Y); 38/80 (K)	40/130/300; 69 (mK Only)	110/350/700
Ink Type	Pigment	Dye (C, M, Y); Pigment (K)	Dye (C, M, Y); Pigment (K)	Pigment
Ink Drop Size (pl)	5.25	5.5 (CMYK)/12 (Black)	6 CMYK/12.6 (Black)	Variable 3.5+ and Up
Number of Colors	5	4	4	5
Ink Colors	C, M, Y, BK, MBK	C, M, Y, K	C, M, Y, K	C, M, Y, pK or mK
Line Accuracy	0.10%▲▲	0.10%■	0.10%■	0.10%
Minimum Line Weight	0.02 mm	0.02 mm	0.02 mm	0.018 mm
Print Languages	SGRaster, HP-GL/2, HP RTL, JPEG	HP PCL 3 GUI, HP-GL/2, HP-RTL, CALS G4, JPEG	HP-GL/2, HP-RTL, HP PCL3 GUI, CALS G4, JPEG, TIFF, URF	Epson Precision XD,HPGL/2, HP-RTL, (Optional Adobe PostScript 3™)
Workflow Solutions (Standard)	Accounting Manager, Canon Print Service, Canon PRINT Inkjet/Selphy, Device Management Console, Direct Print Plus, Easy-PhotoPrint Editor, Free Layout Plus, imagePROGRAF Printer Driver for Windows®/Mac®, Media Configuration Tool, Optimized Driver for AutoCAD, PosterArtist Lite for Windows, Quick Utility Toolbox	Windows and Mac Printer Drivers, Apple AirPrint, HP Print Service Plugin for Android, HP Print for Chrome App, HP ePrint, HP Smart App	Windows and Mac Printer Drivers, Apple AirPrint, HP Print Service Plugin for Android, HP Print for Chrome App, HP ePrint, HP Smart App	Epson Professional Print Drivers for Windows and Mac, Job Accounting Software for Windows, Print Plug-in for Microsoft Office, Epson CopyFactory, Epson Print Sever HDD Utility

** Canon highlights Canon's advantages based on the comparison in this competitive brief, and the statements presented in this document are an opinion of Canon. The facts, product statistics and specifications about HP and EPSON contained in this document were obtained from the following publicly available sources: HP marketing collateral, the HP company website (www.hp.com), EPSON marketing collateral, EPSON company website (www.epson.com) as well as Canon USA, Inc. observations, as of August 2021.

† Print speeds for a single page and square feet per hour are based on print engine speed only. Total throughput time for any print depends on workstation configuration, file size, resolution, ink coverage, networking, etc.

▲ Wireless printing requires a working network with wireless 802.11b/g or 802.11n capability. Wireless performance may vary based on terrain and distance between the printer and wireless network clients.

▲▲ Line accuracy repeatability is guaranteed after a user performs necessary adjustment and under the same environmental conditions. Applies to media for line drawing (Plain Paper, Coated Paper, CAD Translucent Matte Film, and CAD Tracing Paper) only.

■ ±0.1% of the specified vector length or ±0.2 mm (whichever is greater) at 23°C (73°F), 50-60 relative humidity, on A0/E printing material in Best or Normal mode with HP Heavyweight Coated roll feed and Original HP inks.

usa.canon.com/largeformat



Subscription to a third-party's cloud service is required for some software and is subject to third-party cloud service provider's Terms and Conditions. Neither Canon Inc. nor Canon U.S.A., Inc. represent or warrant any information herein, nor any third-party product or feature referenced hereunder. This document was created by Canon U.S.A., Inc. Large Format Printer Division, Imaging Systems Group and is intended for use by Canon's internal sales as an educational tool for dealer and reseller sales representatives. The information contained in this document should not be altered without prior written permission from Canon U.S.A., Inc. All images and effects are simulated. This document was created in August 2021.

As an ENERGY STAR partner, Canon U.S.A., Inc. has qualified this model as meeting the ENERGY STAR energy efficiency criteria through an EPA recognized certification body. ENERGY STAR and the ENERGY STAR mark are registered U.S. marks. Canon, imagePROGRAF, imageRUNNER, and the GENUINE logo are registered trademarks of Canon Inc. in the United States and may also be registered trademarks or trademarks in other countries. All other referenced product names and marks are trademarks of their respective owners. Specifications and availability subject to change without notice. Not responsible for typographical errors.

©2021 Canon U.S.A., Inc. All rights reserved.
0821-TM300T236-PDF-IH

imagePROGRAF
TM-300

